



# LG936L Wheel Loader

**SDLG - The experts at delivering value for money.**

## LG936L Features

- Cummins 6BT5.9 6 Cylinder Engine
- 2 speed power shift transmission
- ROPS/FOPS cabin. ISO EN 3449, ISO EN 3471, ISO EN 3164
- A/C cabin with pillarless wrap around windscreen
- Single lever hydraulic pilot control
- Hydraulic Quick Hitch
- Full powered 3<sup>rd</sup> function hydraulics
- Bucket capacity, 1.8m<sup>3</sup> > 3m<sup>3</sup>
- 2 year/2000 hour warranty (conditions apply)

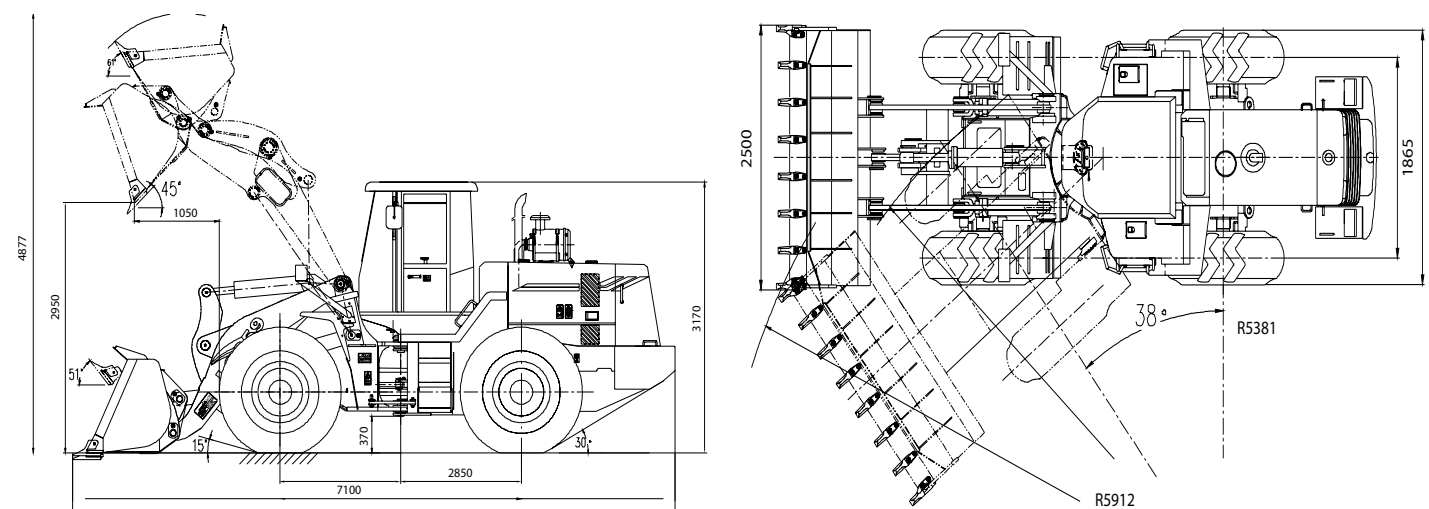
## Specifications

<b>Engine Power</b>	97kW/130hp	<b>Max Breakout Force</b>	9,789kgf
<b>Max. Traction Force</b>	10,707kgf	<b>Static Tipping Load at full turn</b>	6,739kg
<b>Operating Weight</b>	10,700kg	<b>Min Turning Radius Outside Rear Wheel</b>	5,381mm
<b>Standard Bucket Capacity</b>	1.8m <sup>3</sup>	<b>Min. Turning Radius Outside Bucket</b>	5,912mm
<b>Lift Capacity (Rated Load)</b>	3,000kg		

## Dimensions

<b>Length (Bucket on ground)</b>	7,100mm	<b>Width outside tyres</b>	2,310mm
<b>Height</b>	3,170mm	<b>Wheel Centres</b>	1,865mm
<b>Max. Dump Height (-45° angle)</b>	2,950mm	<b>Front wheel to bucket edge</b>	1,050mm
<b>Bucket Width</b>	2,500mm	<b>Wheelbase</b>	2,850mm

## Dimensions LG936L



## Optional Attachments

- Auto weighing system
- Auto grease system
- Boom suspension
- Air suspension seat
- Large range of attachments available
- 4 in 1 buckets, range of Light Material Buckets from 1m<sup>3</sup> to 4m<sup>3</sup>, Hydro Post Hole Diggers, Hay & Silage Handling Attachments. Pallet Forks & GP Forks

## Steering System

<b>Type</b>	Full-hydraulic articulated steering
<b>Steering pump</b>	Gear driven hydraulic pump. 120L/min
<b>Steering Cylinder Cylinder bore x piston rod diameter x stroke</b>	80 x 45 x 327mm
<b>Steering Orbital</b>	Eaton BZZ5-E630C
<b>Steering Angle</b>	38°
<b>Working Pressure</b>	2030 Psi

## Engine

<b>Model</b>	Cummins 6BT5.9-C130
<b>Type</b>	Watercooled, 4 stroke, 6 cylinder in line, direct injection, turbo charged.
<b>Rated Power</b>	97kW/130hp
<b>Rated RPM</b>	2200rpm
<b>Displacement</b>	5.9L
<b>Cylinders</b>	6
<b>Cylinder Bore Stroke</b>	120mm
<b>Min Fuel Consumption</b>	7L/hr @ 1600rpm
<b>Max. Torque</b>	436Nm

## Hydraulics

<b>Type</b>	Single lever hydraulic pilot control
<b>Boom Cylinder Cylinder bore x piston rod diameter x stroke</b>	Double acting 125 x 70 x 771mm
<b>Bucket Cylinder Cylinder bore x piston rod diameter x stroke</b>	Double acting 140 x 80 x 502mm
<b>Pump</b>	Gear driven Hydraulic pump 160L/min
<b>Working pressure</b>	2320 Psi
<b>Lifting time (Max Load)</b>	5.3s
<b>Lowering time (Empty)</b>	2.9s
<b>Dumping time (Empty)</b>	1.0s
<b>Total</b>	9.2s

## Transmission

<b>Torque Converter</b>	Type	Single phase, hydraulic convertor		
	Torque ratio	4.56		
	Inlet oil pressure	65 - 79 Psi		
<b>Travel Speed</b>	Outlet oil pressure	21 - 36 Psi		
	Speeds	1	2	
	Forward	0-13 km/h	0-38 km/h	
<b>Transmission</b>	Reverse	0-17 km/h	-----	
	Type	Planetary Powershift		
	Shift	Forward 2 / Reverse 1		
	Transmission Ratio	Forward 1	2:155	
		Forward 2	0:578	
		Reverse 1	1:577	
		Reverse 2	-----	
Transmission Pump	Gear driven hydraulic pump			
Working Pressure	160 - 220 Psi			
<b>Main Drive</b>	Type	Single stage, spiral bevel gear		
	Gear Ratio	6:167		
<b>Final Drive</b>	Type	Single stage, planetary shift		
	Gear Ratio	3:12		
<b>Driving Axle &amp; Tyres</b>	Type	4WD		
	Mount	Oscillating rear axle, rigid front axle		
	Tyre Specification	17.5 - R25. Tubeless		
	Tyre Pressure	Front	47-51 Psi	
Rear		40-42 Psi		
<b>Brake System</b>	Service Brake Type	Air over hydraulic disc brakes		
	Service Brake Pressure	65 - 98 Psi		
	Parking Brake	Air operated external disk brake		

## Service Fill Capacities

<b>Fuel</b>	140L	<b>Engine Oil</b>	16.3L
<b>Hydraulic Oil</b>	130L	<b>Transmission</b>	35L inclusive
<b>Axles (Main drive &amp; final drive)</b>	2 x 16	<b>Brake System</b>	4L

\*Materials and specifications are subject to change without notice.

**WORKHORSE PERFORMANCE  
WORLD CLASS SUPPORT.**